

# RedBox™ & RedBoxLP™

Rated Voltage	230 Volts/ 50 Hz
Rated Current Draw	1.0 Amps
Input Type	3 wire connection
Head Height	5.1 meter maximum
Flow Rate at Zero Head	280 litres per hour
Temperature Rating	•Continuous duty 60°C •Max inlet temp. 71°C •Not suitable with steam or gasses that exceed 71°C
Product Dimensions	300mm x 150mm x 170mm
Product Weight	2.3kg
Inlet Height from Base	112mm
Product Dimensions (LP)	300mm x 150mm x 125mm
Product Weight (LP)	2.1kg
Inlet Height from Base (LP)	45mm

## Safety Warning

Follow all safety information to reduce potential electrical shock. Disconnect power before servicing unit. Pump must be properly grounded.

This pump has been evaluated for use with water only. Never use the pump to move flammable liquids. Never use the pump in an explosive gas environment, or where gas fumes or vapor may be present. Always disconnect the power prior to moving, adjusting or servicing the pump or attached systems.

LIT-DUSE-REDBOX

DiversiTech Corporation  
6650 Sugarloaf Parkway, Suite 100  
Duluth, GA 30097  
www.diversitech.com



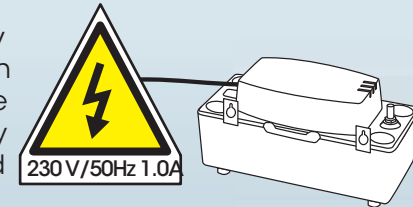
©2016 DiversiTech Corporation  
Version No. 1.0, March 2016



## RedBox™ & RedBoxLP™ Usage Instructions

### Power Source

Supply voltage and frequency must match what is shown on the pump nameplate. Source voltages lower than rated supply can reduce performance and cause the pump to overheat.



### Pump Installation

The pump must be level and should be placed on a solid surface or floor or hung from the hang tabs.



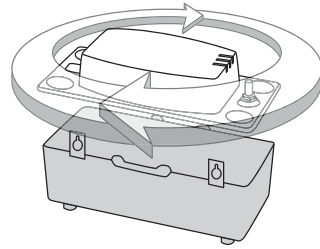
Do not use this pump in the presence of spraying or standing water, it may cause a shock.

Do not cover the pump air vents. The pump is air cooled.

### Mounting

The condensate pump is equipped with metal mounting tabs which allow the tank to be screwed to a wall or equipment side panel. The screw-to-screw distance is 203mm. When mounting into drywall or concrete walls the screws must have anchors which provide the necessary support in the wall material.

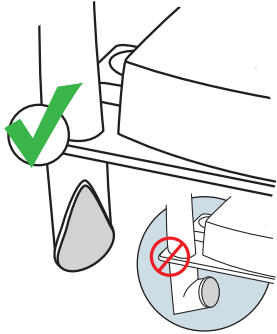
The pump top is reversible. It may be turned around to allow easy access to the pump outlet or power connection as may be required by the particular installation.



## Inlets

4 inlet holes are located in the top deck of the pump. Flexible vinyl tubing or rigid PVC may be

connected to any of the pump inlets. Pop out covers are provided to cover unused inlets. Be sure to cover the unused holes to prevent the pump from collecting debris or insects.



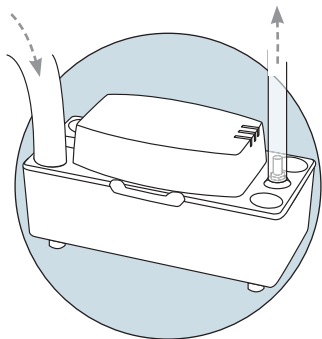
Tubing installed into the inlet holes must be straight. The tubing must not bend inward where it will interfere with the pump or float mechanism.

When using rigid tubing such as PVC, be sure to cut the end at an angle. This will allow the condensate water to drain freely and keep the tubing end from being blocked by the tank bottom.

It may be desirable to use a "P" or "U" trap between the air conditioning unit and the condensate pump to provide a liquid barrier to air flow from the air conditioner. These types of "traps" always contain some water which blocks the flow of air from the air conditioning unit which is wasteful and can cause other problems such as accelerated algae growth.

## Outlets & Tubing Connections

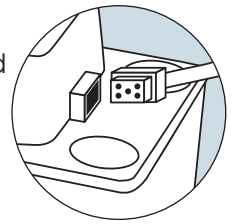
The pump is equipped with a combination barb-type fitting and check valve. The fitting allows the connection of flexible vinyl tubing. Attach the tubing by pressing it over the barb fitting and secure with a hose clamp.



Route the tubing up and away from the pump; avoid compressing or kinking the tubing. The tube route should be the shortest possible distance from the pump to the building exterior or other drain location. For best results the distance that the water must go UP should be shorter than the distance that it goes DOWN. With the longer DOWN tubing, the length will help siphon the condensate from the tank, speeding the pump out time.

## Pump Electrical Connections

Connect the pump power to a properly grounded outlet capable of providing power that meets the requirements listed on the pump nameplate. The electrical plug that connects to the RedBox pump will also retrofit to existing non-DiversiTech pumps.

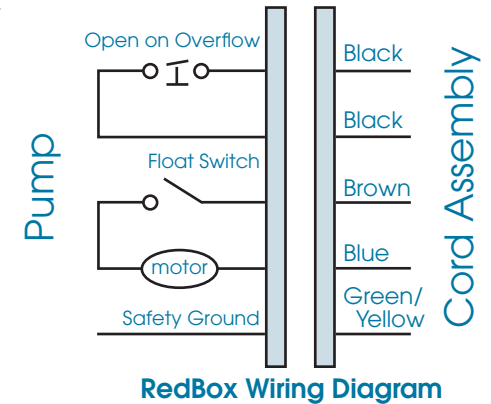


## Safety Switch

The pump safety switch is rated for 4 amp max control circuits only. The Safety Switch operates with or without power provided to the pump.

## Pump Operation

Check for green light indicating that power is on. Test float and safety switch by manually filling the tank or manually operating the float.



Test High level Alarm operation (if used) to be sure that the air conditioning system shuts down and the red ALARM lights when the pump has reached an overflow condition.

Leak Check: Operate the pump by filling tank to trigger operation. Pump RUN will be indicated by the yellow RUN light.

## Pump Maintenance and Disassembly

Always disconnect power before performing maintenance. There are no user-servicable electrical parts. Pump and deck may be removed from the tank by pushing tabs located on the tank sides away from the deck while lifting on the pump cover.

Periodically inspect the pump tank to assure it is free of accumulated dirt or sludge. Do not use solvent cleaners. Clean tank with soap and warm water only. The check valve may be removed for cleaning or replacement by unscrewing with a wrench.

Clean inlet and outlet piping. Reassemble system and check for correct operation.