

MULTITANK



INSTALLATION INSTRUCTIONS



INSTRUCCIONES DE INSTALACION



INSTRUCTIONS D'INSTALLATION



ISTRUZIONI PER L'INSTALLAZIONE



INSTALLATIONSANLEITUNG



Инструкция по установке

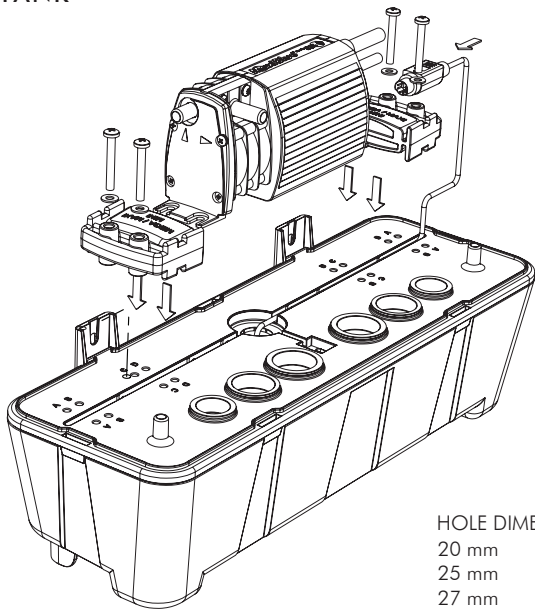
S30-612/2



CHARLES AUSTEN
PUMPS LTD

3
YEAR
WARRANTY

MULTITANK



HOLE DIMENSIONS

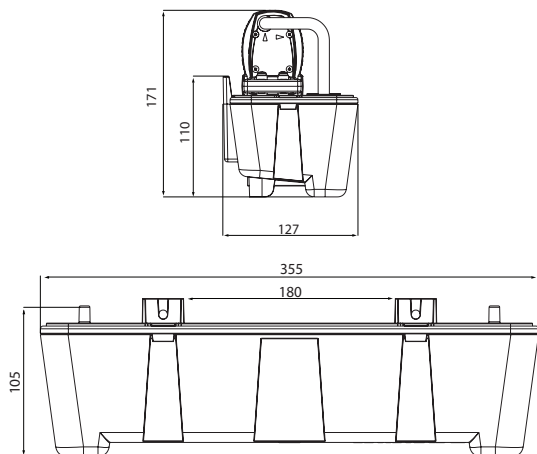
- 20 mm
- 25 mm
- 27 mm

WARNING



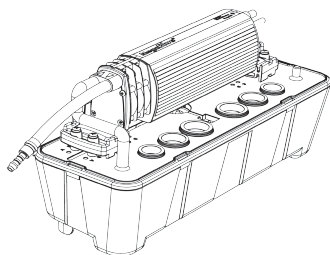
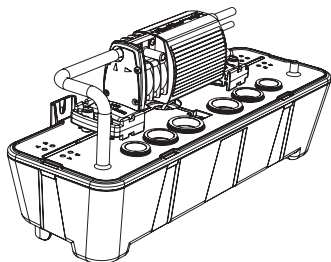
- Always ensure MultiTank is secured and cannot be knocked over.
- It is essential that MultiTank is installed level.
- Never use for applications other than air conditioning condensate.
- Do not use if product is damagedFor indoor use only
- Temperature range 0-40° C.
- Do NOT attempt to pick up the MultiTank by holding the pumpAvoid damage to bead sensor when cleaning out MultiTank.

DIMENSIONS



MAXIBLUE®

MEGABLUE®



CLEANING AND MAINTENANCE

The BlueDiamond condensate removal pump will tolerate some dust and sludge. However, if the reservoirs or sensors require cleaning, use warm soapy water and take care not to damage the sensors. After any cleaning or maintenance work, carry out an operational test before using the pump.

BLUEDIAMOND® PUMP SELECTOR GUIDE	INDUSTRY		UNIT				PERFORMANCE				INSTALLATION			
	AIR CONDITIONING	REFRIGERATION	3.5 KW	3.5 - 5 KW	5 - 8 KW	8 - 14 KW	14 - 50 KW	MAX FLOW (L/HR)	MAX HEAD (M)	MAX LIFT (M)	SOUND (DBA)	IN UNIT	DUCTING	REMOVED
MICROBLUE™	✓		✓					5	5	2	17	✓	✓	✓
MINIBLUE®	✓			✓	✓			8	8	5	21			✓
MINIBLUE_R®	✓			✓	✓			8	8	5	21	✓	✓	✓
	✓					✓		14	8	8	21	✓		✓
MAXIBLUE_{PRO}®	✓					✓		14	8	8	21	✓		✓
	✓	✓					✓	50	20	7	23			✓
ARCTIKBLUE®		✓						50	20	-	23			

Distributed by:-



CHARLES AUSTEN
PUMPS LTD

ROYSTON RD, BYFLEET, SURREY, KT14 7NY, UK
 TEL: +44 (0)1932 355277
 FAX: +44 (0)1932 351285
 INFO@CHARLESAUSTEN.COM
 WWW.CHARLESAUSTEN.COM